

Z150 14" SQUARE TOP PROM-DECK DRAIN WITH HEEL-PROOF GRATE AND ROTATABLE FRAME



PATENTED

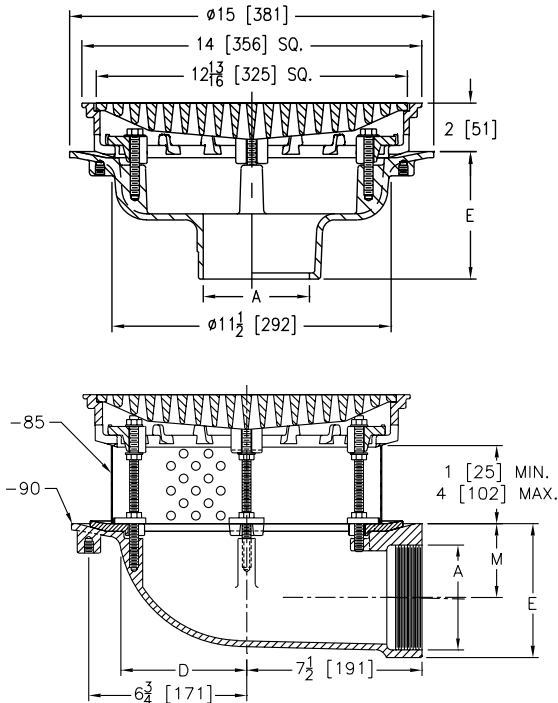
ENGINEERING SPECIFICATION

Zurn Z150 14" square top prom-deck drain features Dura-Coated cast iron body with rotatable, square promenade frame with seepage openings, frame clamps and heavy-duty, heel-proof grate.

NOTES

*Add 3/16" to 2" dimension and 3/8" to 14" dimension

A Pipe Size inches [mm]	Grate Open Area sq in [cm ²]	Approximate Weight lb [kg]
2 [51], 3 [76], 4 [102]	44 [284]	53 [24]
6 [152]		54 [24]
8 [203]		



Shown with -85-90 Options

ZURN Z150-85-90 14" Square Top Lateral Prom-Deck Drain. Dura-Coated cast iron body with side outlet, rotatable square promenade frame with seepage openings, frame clamps, perforated stainless steel extension with secondary clamp collar, and heavy-duty heel-proof grate.

BEST SELLERS	LIST PRICE
Z150-3NH	1,202.00
Z150-3NH-DP	1,638.00
ZN150-3NH	2,205.00
Z150-3NL	1,202.00
Z150-3NL-85=4	1,986.00
Z150-4NH	1,202.00
Z150-4NH-85=4	1,986.00
Z150-4NH-85=4-EA	2,710.00

PREFIXES	DESCRIPTION	PIPE SIZE	LIST PRICE
Z150*	D.C.C.I. Body with Top	2", 3", 4"	1,202.00
		6"	1,489.00
		8"	1,767.00
ZB150†	D.C.C.I. Body with Polished Bronze Top	2", 3", 4"	2,016.00
		6"	2,294.00
		8"	2,583.00
ZN150†	D.C.C.I. Body with Polished Nickel Bronze Top	2", 3", 4"	2,205.00
		6"	2,486.00
		8"	2,764.00

OUTLETS (SPECIFY PIPE SIZE IN INCHES AND TYPE OF OUTLET)			
OUTLET TYPE	OUTLET DESIGNATION (PIPE SIZE/OUTLET TYPE)	E BODY HT. DIM.	ADD
IC	Inside Caulk	3IC, 4IC, 6IC	5-1/4" N/C
IP	Threaded	2IP, 3IP, 4IP, 6IP, 8IP	3-3/4" 80.00
NH	No-Hub	2NH, 3NH, 4NH, 6NH, 8NH	5-1/4" N/C
NL	Neo-Loc (not recommended for roof drains)	2NL, 3NL, 4NL	4-9/16" N/C

SUFFIXES	ADD
-AR	Acid Resistant Epoxy Coated Finish 1,355.00
-C	Underdeck Clamp 244.00
Ⓢ -DE	Deck Extension D.C.C.I. 703.00 Galv. 1,044.00
-DG	Duresist Grate 615.00
Ⓢ -DP	Top-Set® Roof Deck Plate (Replaces -C and -R) 436.00
Ⓢ -DR	Top-Set Drain Riser (Adjustment from 3-5/8" thru 7-1/4") D.C.C.I. 1,215.00 Galv. 1,556.00
-DT	Decorative Polished Top (ZB and ZN Only) 178.00
-E	Static Extension 1" thru 4" (Specify Height) D.C.C.I. 660.00 Galv. 995.00
	For E Extensions Greater than 4" - Per Inch (Specify Height) D.C.C.I. 158.00 Galv. 242.00
-EA	Adjustable Extension Assembly D.C.C.I. 724.00 Galv. 1,073.00
Ⓢ -EB	Top-Set Adjustable Extension Assembly 660.00
-G	Galvanized Cast Iron 889.00
-R	Roof Sump Receiver 272.00
-S	Secondary Strainer 98.00
-SC	Secondary Clamp Collar 185.00
Ⓢ -TC	Neo-Loc Test Cap Gasket (2", 3", 4" NL Bottom Outlet Only) 24.00
-TS	Top Secured with Slotted Screws 129.00
-VP	Vandal-Proof Secured Top 147.00
-XJ	Vertical Expansion Joint (See Z190) (Use with IP Outlets Only) -
-Y	Sediment Bucket 257.00
-85	Stainless Steel Perforated Extension 1" thru 4" 784.00
	For Each Additional 1" above 4" - Per Inch (Specify Height) 79.00
-90	90° Threaded Side Outlet Body (2", 3", 4", 6") 368.00

BEST SELLERS	LIST PRICE
ZN150-4NH	2,205.00
Z150-4NL	1,202.00
Z150-4NL-E4	1,862.00
ZB150-4NL-EA	2,740.00
ZN150-4NL	2,205.00
Z150-6NH	1,489.00
ZN150-6NH	2,486.00
Z150-8NH	1,767.00

*Regularly furnished unless otherwise specified.

Items designated as Best Sellers are most specified and are generally in stock for shipment.

Ⓢ This symbol denotes a product that is engineered to reduce installation and rework time.

For additional product information, please visit www.zurn.com.